



Cyclic Corrosion Chamber

INEC series



The innovation as an attitude

The company

Ineltec is a company with more than 20 years of experience in the sector and 5.000 equipment installed all around the world. Our achievements are due to the ability of offering tailored solutions to perform any kind of test.

“Technology, research and innovation are the basis for creating equipment of high reliability.”



Model

Cyclic Corrosion
Chamber of INEC series



Cyclic corrosion chamber according
to international standards.

Model

Equipment description

Cyclic Corrosion Chamber of INEC series accelerate corrosion tests by alternative cycles.

This chamber has the capacity to perform climatic tests (Cold-Heat), stages of saturated salt fog and humidity.

The maximum temperature ranges in standard model are from +15°C to +60°C.

We also design tailored equipment according to specifications, modifying or broaden the standard characteristics.

Accelerate corrosion chamber for tests are used basically to do “Automotive” tests according to the international standards.

Standard Volumes

- 01 400 liters
- 02 1000 liters
- 03 2000 liters

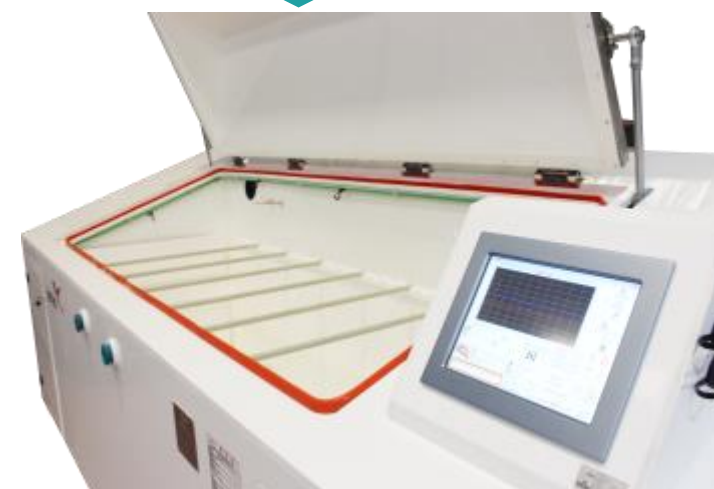
01



02



03



Sectors



Automotive
Railway
Naval



Construction



I+D,
Technological
centers,
Universities,
Laboratories



Mineral
Ironwork,
Galvanic,
Metallurgic

Standards

DIN 50014

ASTM B-117

P-VW1210

D17 2028/--B-ECC1

DIN EN ISO 6270-2

NES M-007 (Nissan)

TL 218

GME-60.203 (Opel)

DIN EN ISO 9227

NES 21481NDS00

TL 227

D17-11686 (Renault)

EU B153-2 (Ford)

VDA 621-415

ASTM D4585

Etc.

Features of the equipment

construction



01

01/ exterior/interior

The exterior is made of aluminum sheet white lacquered and the test cube is made of anti-corrosive polypropylene.



02

02/ Furniture base

The machine has 6 adjustable legs in height.



03

03/ Superior Cover

Shaped roof, made of clear polyethylene. Opening and closing by pneumatic cylinders.

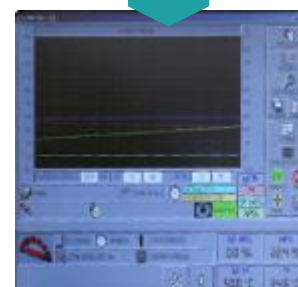


04/ Holder system

6 Holder bars kit to suspend the parts tested.

* Other holders under request

05

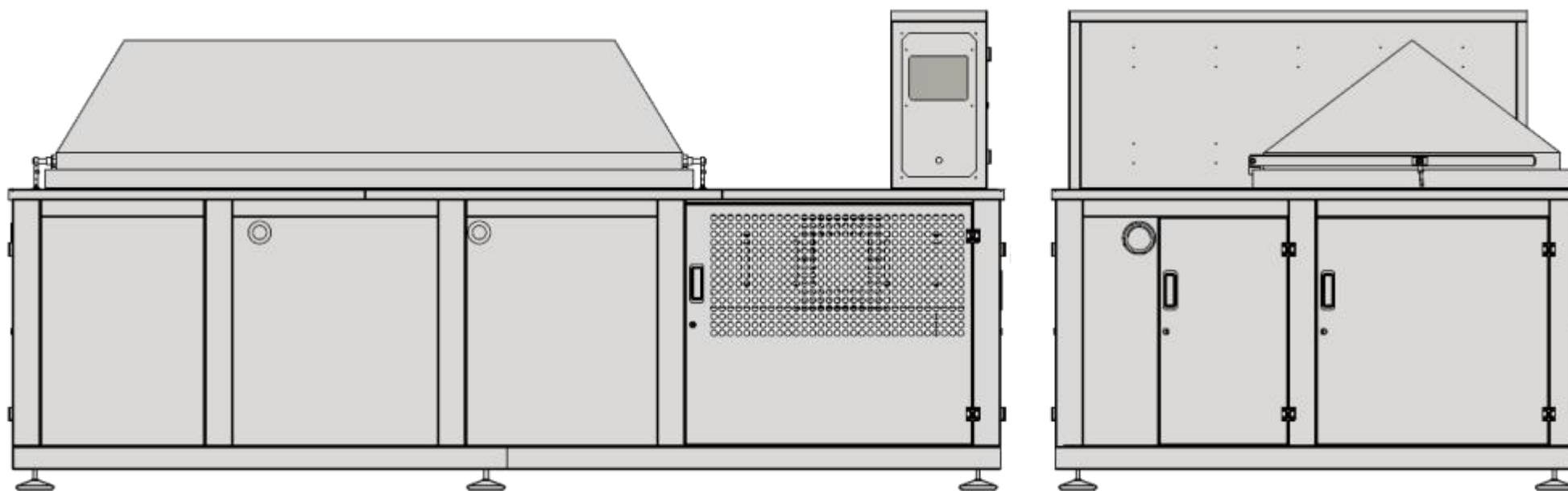


05/ Control system

Touch screen PC that is simple and intuitive and allows the programming, acquisition, recording and controlling of all the variables.

Features of the equipment

Front / Side Drawing



*The construction
could have little
variations.

Features of the equipment

Standard functions

Modelo CKEST	Temperature	Humidity (R.H.)	Connection voltage and power	Maximum consumpted power	Dimensions HxWxD (mm) *approx.	Weight Approx
Vol. Liters	from +15°C to +60°C	from 15% to100% Saturated humidity	400V III + N + TT	Kw	Interior	Kg.
					Exterior	
400	*	*	*	6	800x710x550	150
					1150x1040x700	
1000	*	*	*	9	800x1500x900	250
					1525x2700x1500	
2000	*	*	*	15	920x2134x930	350
					1700x3600x1620	

Precision

Temp. $\pm 0,5^{\circ}\text{C}$ max.

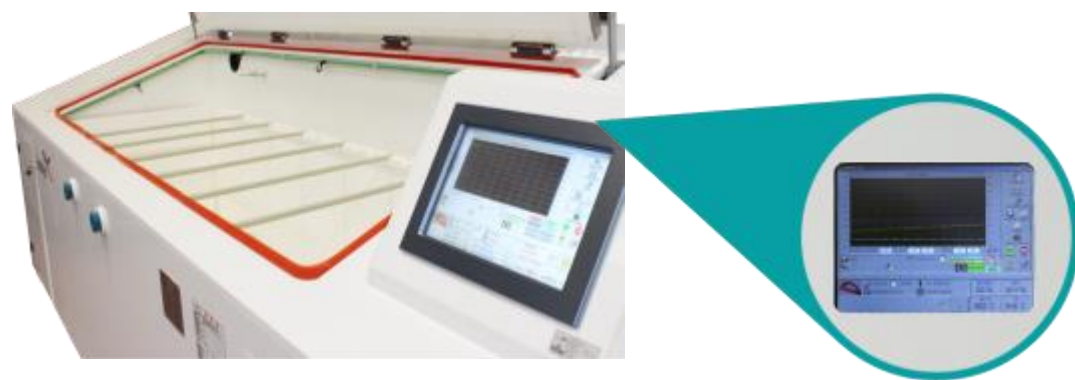
R.H. $\pm 2\%$ max.

*Other characteristics

under request

Control system

Touch screen PC



Characteristics

- | | | | |
|----|------------------|----|-------------|
| 01 | USB | 06 | RS 232 Com. |
| 02 | Ethernet – RJ45 | 07 | PS/2 |
| 03 | Wi-Fi (optional) | | |
| 04 | CF Socket | | |
| 05 | VGA Com. | | |

software/ use

*With the integrated **PROCAM-WIN** software, it is possible to do the programming, acquisition, record, control and result analysis.*

software/ characteristics

- | | | |
|---|--|--|
| 1/ Manual or automatic programming. | 7/ 100 segments maximum per program | 11/ Excel or similar export |
| 2/ / Start programming in a specific day and hour | 8/ Enchained of until 4 programs. | 12/ Configuration of the maximum and minimum alarms, for temperature limits in each segment. |
| 3/ It allows to make notes during the tests. | 9/ Number of programming cycles from 1 to 999999 or infinite | 13/ Thermal values to each heat or refrigeration segment |
| 4/ Different access levels, | 10/ Visualization and recording of the done tests by a table or graphic. | 14/ State diagnosis of pressure in compressor |
| 5/ Maximum 11 operators | | |
| 6/ More than 100 programs | | |

International presence



Range of products

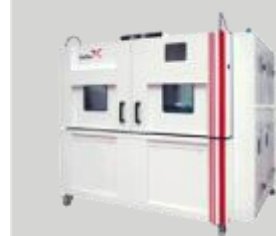
ES Simulation equipment



Climatic chambers



Modular chambers



Thermal shock



Combined tests



Specials



Stability



Generator groups



Calorimetric



Corrosion - combined



Corrosion



Frost / Defrost



Tightness – rain



Tightness – air/wind



Freezer cabinet



Thermostatic bath



Furnace



Heating

Range of products

BE Testing bench



Fatigue endurance



Characterization



Pulsing pressure



Rupture



Bursting



Liquid Thermal Shock



Standardization



Resistance to the fire - I



Resistance to the fire - II



Reaction to the fire - I



Reaction to the fire - II

MC Measurement and control



Artificial vision - I



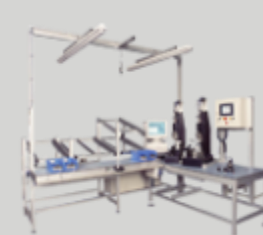
Artificial vision - II



Artificial vision - III



End of line control - I



End of line control - II



Ineltec
Spain / Barcelona
Headquarters



C/ Metal·lúrgia, 8
Pol. Ind. Les Goules
08551 Tona



T/ 0034 938 605 100
F/ 0034 938 717 463



ineltec@ineltec.es
www.ineltec.es

Follow us
on our
social networks



[twitter](#)



[Blog](#)